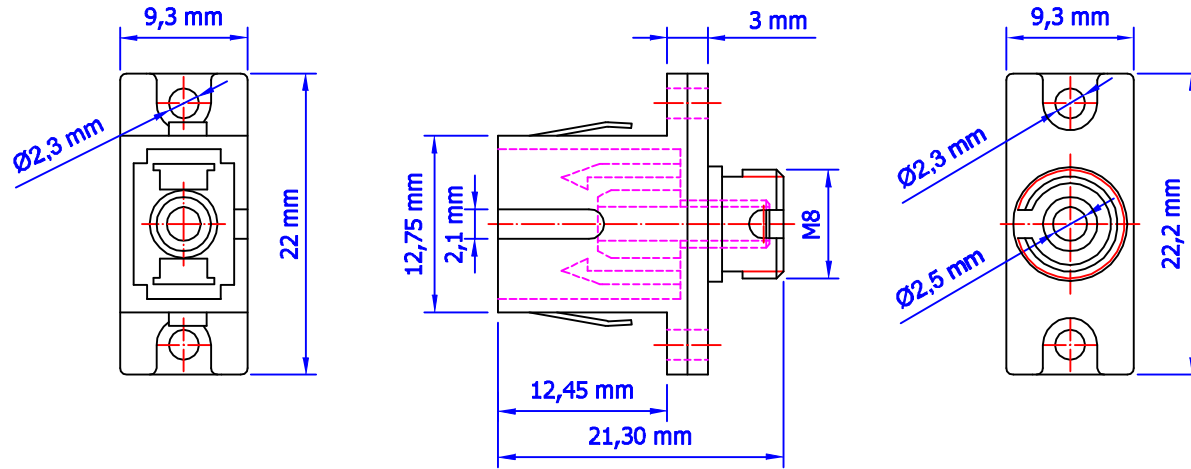


VIEW	TOLERANCE	
	0-10	±1
	11-250	±5
	251-500	±10
	501-1000	±20
	1001-3000	±50
UNIT: mm	3001-5000	±100
	5001- >	±150



Date	16.03.2016	Rev.		Revision Detail		Rev.Dt.		Rev.by		Part No	SC/PC-FC/PC SM SX METALIC ADAPTER		
Designed by	Yeşim AKSOY		-							Drawing Nr.	Scale	Sheet No	
Checked by	Mevlüt GÜRBÜZ									FO-06M41H1S13S	NONE	1/1	